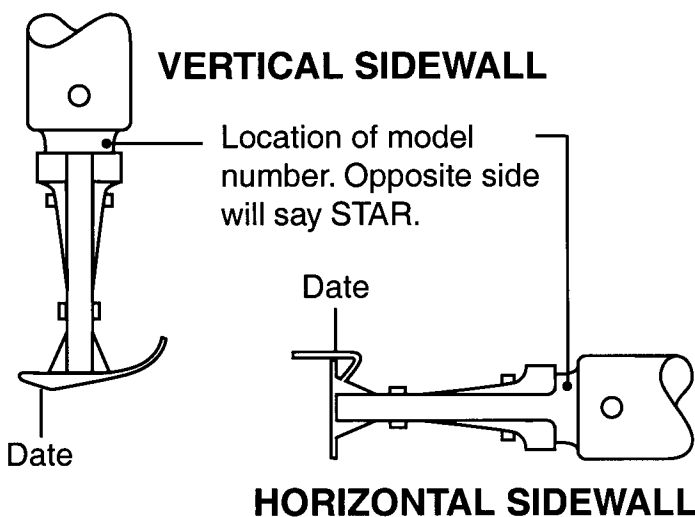
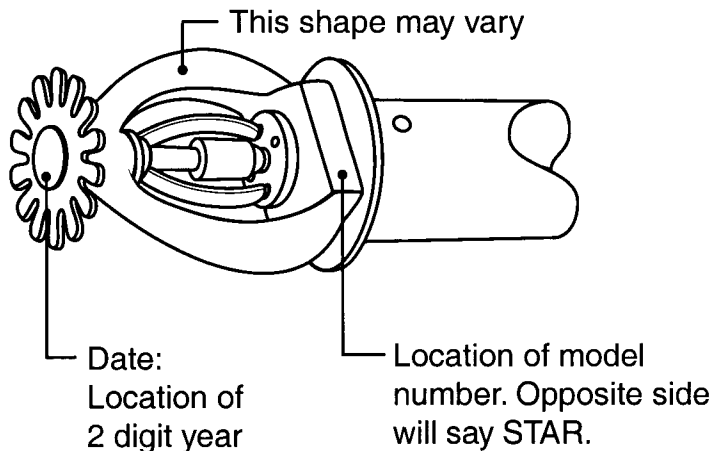


Recall of “Star” Brand D-1, RD-1, RE-1, E-1, and ME-1 “Dry-Type” Fire Sprinklers manufactured from 1961 to 1976

Mealane Corporation of Philadelphia, PA, is voluntarily recalling “Star” brand fire sprinklers manufactured from 1961 through 1976. The Star sprinklers being recalled are “dry-type” models **D-1, RD-1, RE-1, E-1, and ME-1**. These sprinklers have been primarily installed in nursing homes and hospitals. They may also be found in schools, loading docks, warehouses and cold storage areas in supermarkets nationwide. The name “Star” appears on the sprinkler, along with the model number and date of manufacture. The Star Sprinkler Co. sold its assets and changed its name in June 1976 and became known as the Mealane Corporation. Mealane is unable to address claims relating to sprinklers produced after 1976.

Mealane Corporation is urging consumers and property owners to determine whether their facilities contain any Star D-1, RD-1, RE-1, E-1, and ME-1 sprinkler models made from 1961 to 1976 and to call the Star Sprinkler Recall Hotline at 1-800-866-7807 or visit the special web site, www.star-recall.com, for more information.

PENDENT AND UPRIGHT



There are four styles of sprinklers

- Pendent
- Upright
- Vertical Sidewall
- Horizontal Sidewall

The following model numbers may appear on any recalled sprinkler style.

- D-1
- RD-1
- RE-1
- E-1
- ME-1